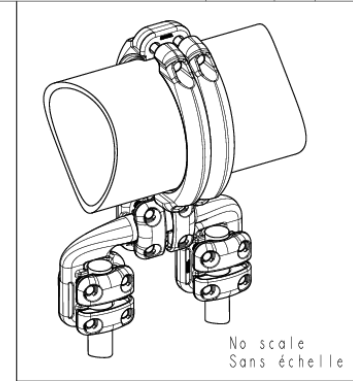
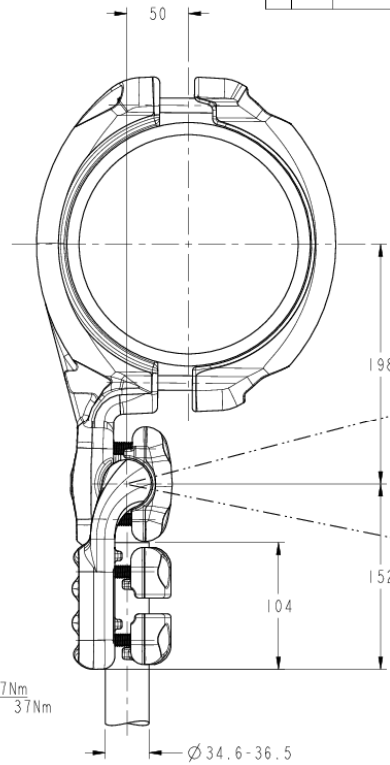
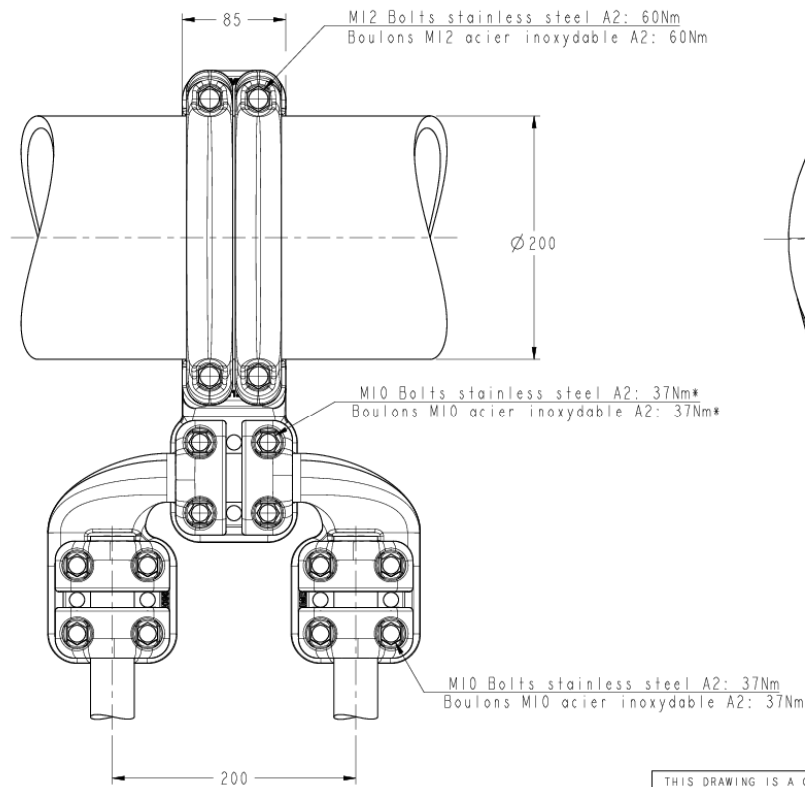


REVISIONS					
P	LTR	DESCRIPTION	DATE	DWN	APVD
	A	CREATION	20JUN2023	RS	CG



Adjusted on site*
Ajusté sur site*

*In case of loosening, contact surfaces must be cleaned and greased
Refer to installation instruction

*En cas de desserrage, les surfaces de contact doivent être nettoyées et graissées
Se référer à la notice d'installation

THIS DRAWING IS A CONTROLLED DOCUMENT.		DWN RAVI S	20JUN2023	STE TE Connectivity
		CHK M. PREVOT	20JUN2023	
		APVD C. GLOMMEAU	20JUN2023	NAME ADJUSTABLE TEE CONNECTOR RACCORD EN TE AJUSTABLE 5 MTA 82 A T200 M365 E200
		PRODUCT SPEC 108-69096-001		
		APPLICATION SPEC		SIZE CAGE CODE DRAWING NO RESTRICTED TO
		WEIGHT	7.61 kg	A 3 00779 C=2465722 -
		CUSTOMER DRAWING	SCALE	3:10 SHEET 1 OF 1 REV A

DIMENSIONS:		TOLERANCES UNLESS OTHERWISE SPECIFIED:	
mm		0 PLC	±-
		1 PLC	±-
		2 PLC	±-
		3 PLC	±-
		4 PLC	±-
		ANGLES	±-
MATERIAL		FINISH	